

Residential Solar PV Monitoring

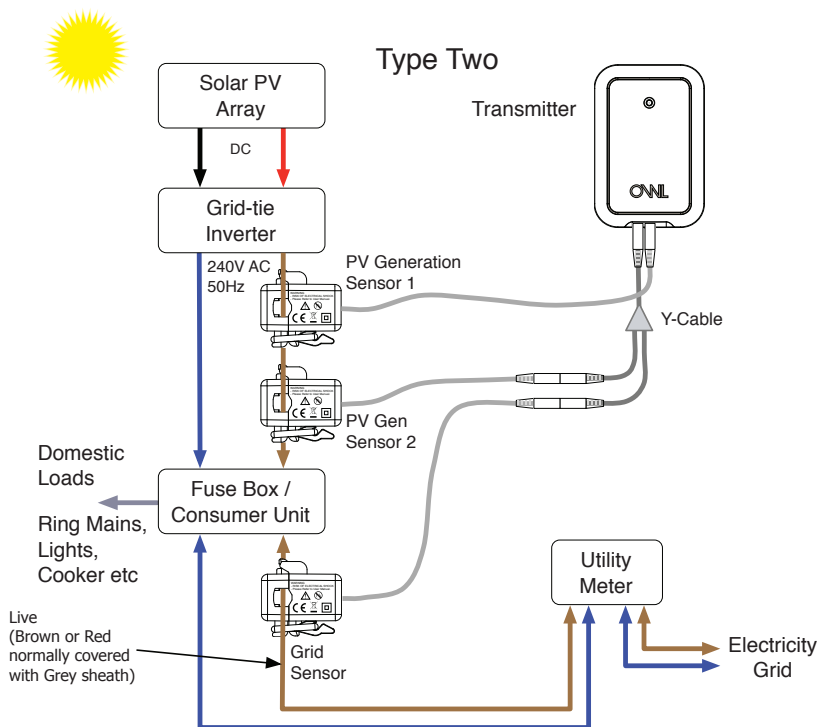
Y-Cable Pack

Extends OWL Intuition-pv to support
Type Two Solar PV Installations

Contains:

1 x Y-Cable

1 x Standard Sensor clamp (<10mm cable, <71A)



Installing Sensors for Type Two Solar PV Installations

Please read in conjunction with diagram overleaf. You will also need the Transmitter and the 2 Sensors supplied as part of your OWL Intuition-pv (not included).

- **PV Generation Sensor 1** - Locate the PV generated power cable between the inverter and consumer unit (fuse box). Using the latch, clamp the first Sensor around the insulated Live cable going into the consumer unit. Plug this Sensor into the Transmitter centre socket.
- **PV Generation Sensor 2** - Using the latch, clamp the second Sensor around the same insulated Live cable that PV Generation Sensor 1 is attached to. Plug this Sensor into either of the arms of the Y-Cable.
- **Grid Sensor** - Locate the supply cables between your electricity meter and consumer unit (fuse box). Using the latch, clamp the third Sensor around the insulated Live cable going into the consumer unit. Plug this Sensor into the remaining arm of the Y-Cable.
- **Y-Cable** - With both Sensors attached, plug the Y-Cable into the Transmitter left-hand socket.
- The Sensors must be a loose fit onto the cables.
- The Transmitter should be hung on the wall in a free area as far from large metal objects as possible.



Consumption
338 Watts
0.0p /hr



Generation
1.95 kW
Exporting 1.61kW

- **Check Readings** - Log into your OWL Intuition account and check that you have both live Consumption and Generation data updating every 12 to 60 seconds. If when the Generation figure changes you see the Consumption figure change by a similar amount you need to reverse the direction the cable is going through Grid Sensor. Undo the Sensor latch, remove, twist 180 degrees and re-attach around the cable. If unclear please see web site Support for further information.
- **System Type Setting** - When you create your OWL Intuition online account (see Getting started with Intuition-pv instructions), you should select Intuition-pv (Type 2) when asked for System Type.

Important Note: The Sensor clamps must **only** be attached around single core live cables. If the cable from your inverter into your consumer unit also contains the neutral and earth cable, the live cable must be split out for the Sensor by a qualified electrician otherwise the Sensor will not work.

